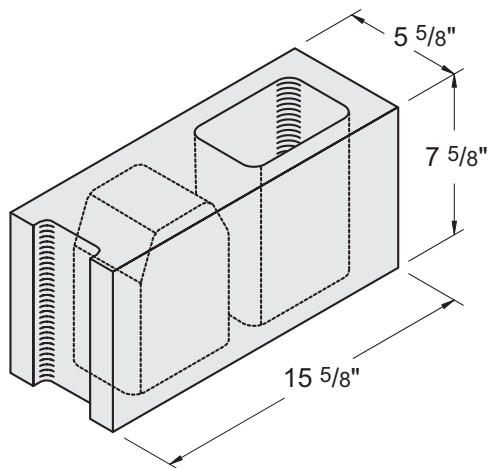


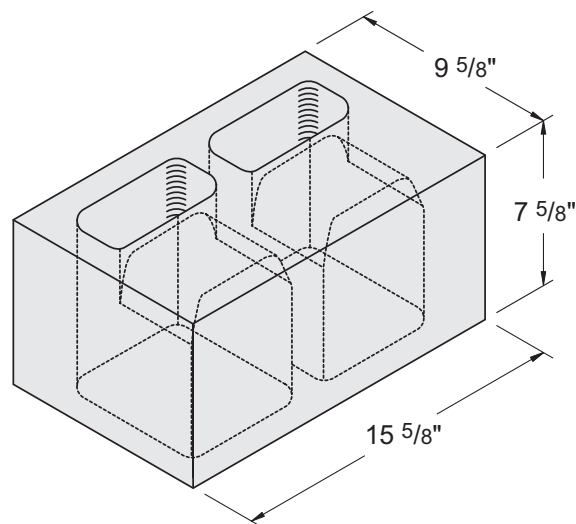
# ANCHOR & BRICKLEDGE BLOCK

## PRODUCT & INSTALLATION GUIDE

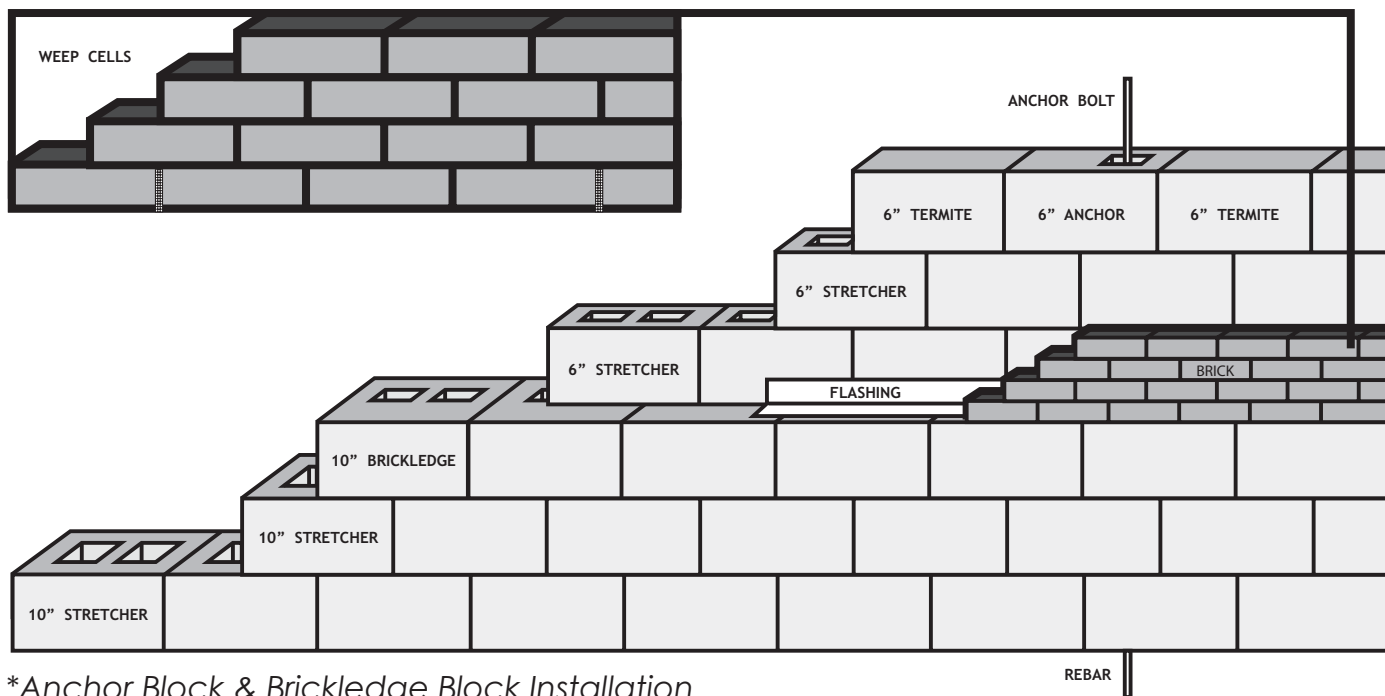
### ANCHOR BLOCK



### BRICKLEDGE BLOCK



### WATER CONTROL DESIGN:



\*Anchor Block & Brickledge Block Installation