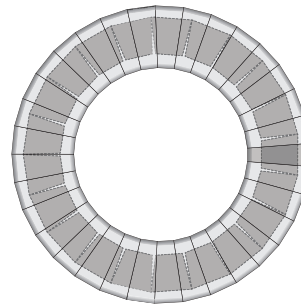
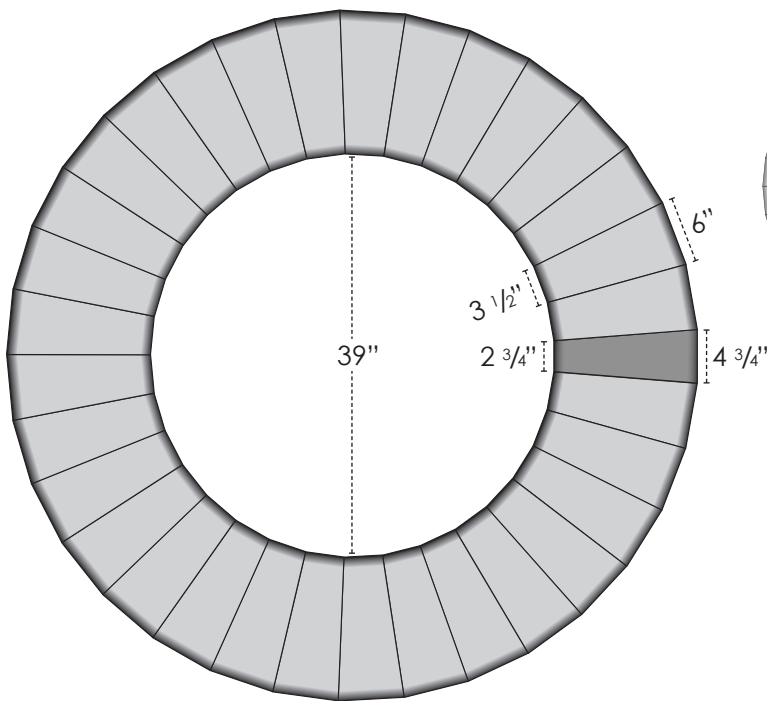


DOUBLE BULLNOSE CAPS

FIRE PIT CAP GUIDE

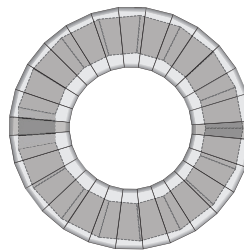
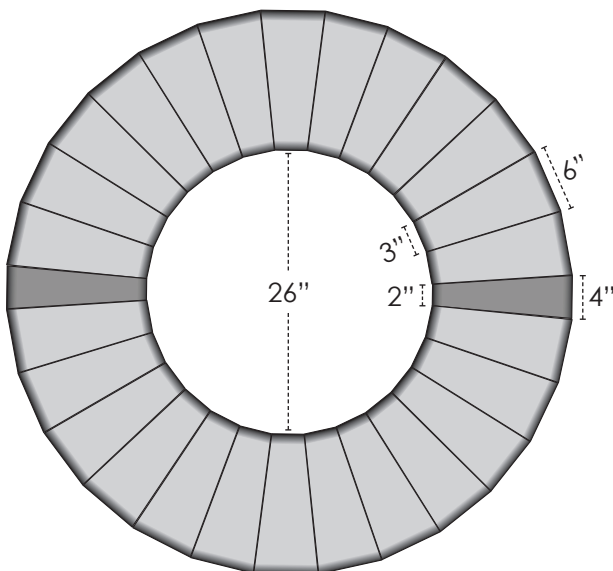
42" ROUND FIRE PIT CAPS



This cap configuration is designed to fit around a 42-inch metal fire pit insert. Using 21 Castlerok blocks per course with a 44-inch inside and 60-inch outside diameter, this design will give a 2.5-inch overhang on both the outside and inside of the fire pit.

To complete this design, you will need 33 Double Bullnose Caps. Of these, 32 caps must be cut with one side measuring 6 inches and the opposite side measuring 3.5 inches. Additionally, one cap needs to be cut smaller to finish the layout; this cut will be approximately 4.75 inches on one side and 2.75 inches on the opposite side. It is recommended to take the final measurements on-site, as some adjustments may be necessary to account for variations and saw blade widths.

30" ROUND FIRE PIT CAPS



This cap configuration is designed to fit around a 30-inch metal fire pit insert. Using 17 Castlerok blocks per course with a 32-inch inside and 48-inch outside diameter, this design will give a 2-inch overhang on the outside and a 3-inch overhang on the inside of the fire pit.

To complete this design, you will need 28 Double Bullnose Caps. Of these, 26 caps must be cut with one side measuring 6 inches and the opposite side measuring 3 inches. Additionally, two caps need to be cut smaller to finish the layout; these cuts will be approximately 4 inches on one side and 2 inches on the opposite side. It is recommended to take the final measurements on-site, as some adjustments may be necessary to account for variations and saw blade widths.