

# FIRE FIREPLACE INSERT

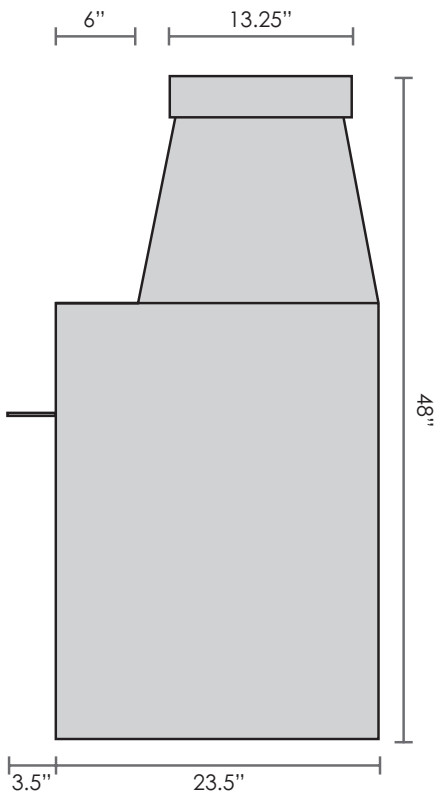
## PRODUCT GUIDE

### PRODUCT OVERVIEW

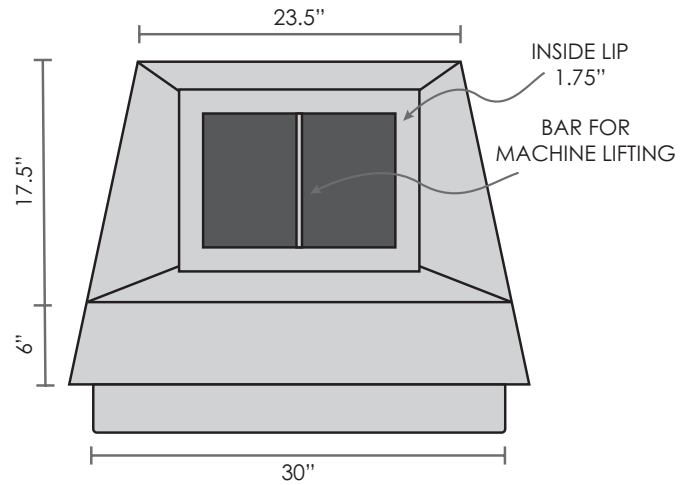


This heavy-duty fireplace insert is made of 1/4" thick carbon steel with black powder coating. It features a rectangular flue support suitable for several different liner sizes, as well as a built-in extended smoke chamber for increased chimney "draw" to evacuate smoke quickly and efficiently. It also has an integral double lintel that allows for blocks to "bridge" the fireplace opening without using additional steel or grinding. The dimensions are designed to work with Lampus Country Stone. Each insert comes with a carbon steel log rack.

### SIDE VIEW



### TOP VIEW



### FRONT VIEW

