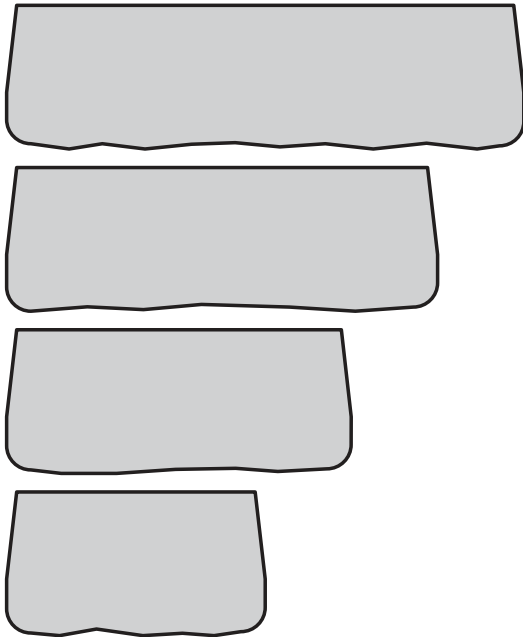


# ROSETTA® GRAND LEDGE

## PALLET OVERVIEW



4 units / pallet  
 18 sq. ft. / pallet  
 4,000 lbs. / pallet  
 24 unique textures

## SPECIFICATIONS



72" x 20" x 12"  
 1,350 lbs. / unit  
 1 unit / pallet



60" x 20" x 12"  
 1,080 lbs. / unit  
 1 unit / pallet

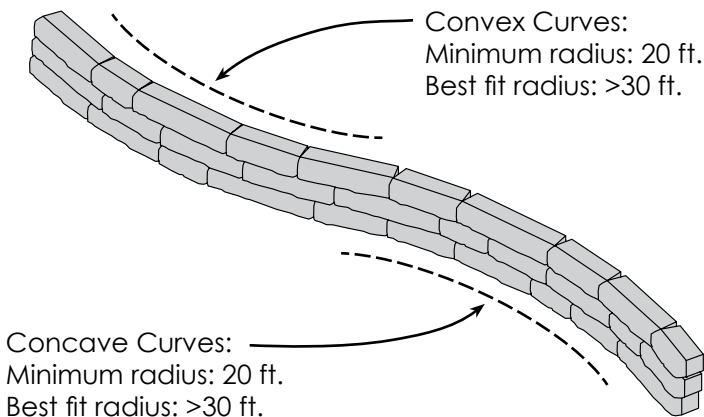


48" x 20" x 12"  
 890 lbs. / unit  
 1 unit / pallet



36" x 20" x 12"  
 660 lbs. / unit  
 1 unit / pallet

## LAYING PATTERNS



Note: Minimum radii shown are based on an average mix of block lengths. Actual radius will depend upon block placement.

Due to the setback between courses of blocks (2.25 inches per course), the radius of convex curves will get smaller towards the top of the wall. It is recommended that you plan your base course layout accordingly due to the tapered ends of the upper courses becoming tighter. The overall radius will decrease as the wall is constructed.

## NOTES



WET-CAST  
 WARRANTY

## CAP OPTIONS



GRAND LEDGE  
 COPING/FREESTANDING

## APPLICATIONS



OUTDOOR  
 LIVING

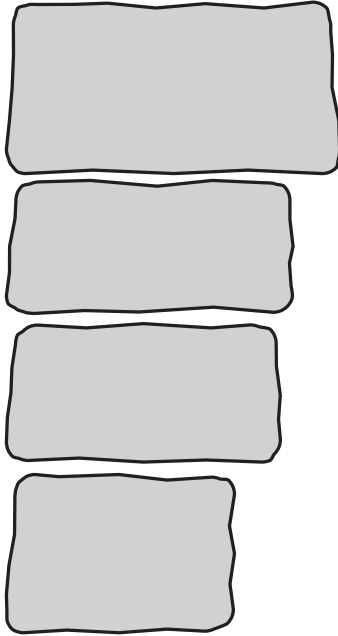


WALLS &  
 COLUMNS

COLOR SWATCHES AVAILABLE AT LAMPUS.COM • ALL WEIGHTS ARE APPROXIMATE.

# ROSETTA® GRAND LEDGE CORNERS

## PALLET OVERVIEW



4 units / pallet  
 21 sq. ft. / pallet  
 3,950 lbs. / pallet  
 4 unique textures

## SPECIFICATIONS



51" x 26" x 12"  
 1,280 lbs. / unit  
 1 unit / pallet



46" x 21" x 12"  
 970 lbs. / unit  
 1 unit / pallet



43" x 20" x 12"  
 840 lbs. / unit  
 1 unit / pallet



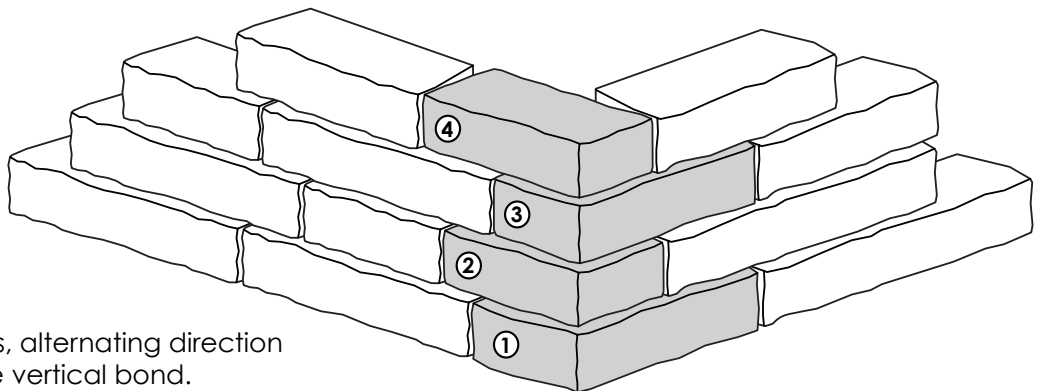
35" x 24" x 12"  
 850 lbs. / unit  
 1 unit / pallet

These Corner blocks are designed for use as corners, top blocks, and step returns.

## LAYING PATTERNS

### 90° OUTSIDE CORNER

- 1 - 51" x 26" x 12"
- 2 - 35" x 24" x 12"
- 3 - 46" x 21" x 12"
- 4 - 43" x 20" x 12"



Overlap Corner blocks, alternating direction each row to break the vertical bond.

## NOTES



WET-CAST  
 WARRANTY

## CAP OPTIONS



GRAND LEDGE  
 COPING/FREESTANDING

## APPLICATIONS



OUTDOOR  
 LIVING

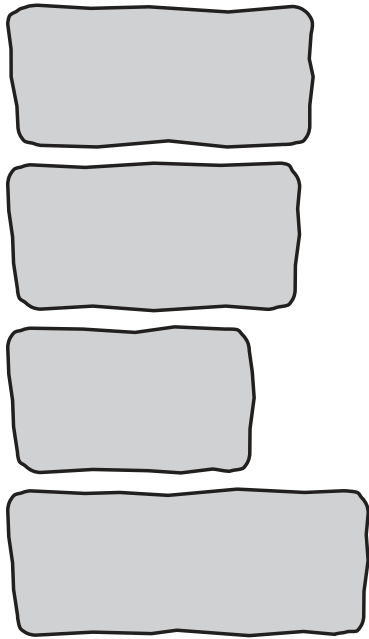


WALLS &  
 COLUMNS

COLOR SWATCHES AVAILABLE AT LAMPUS.COM • ALL WEIGHTS ARE APPROXIMATE.

# ROSETTA® GRAND LEDGE COPING/FREESTANDING

## PALLET OVERVIEW



4 units / pallet  
15 sq. ft. / pallet  
3,590 lbs. / pallet  
4 unique textures

## SPECIFICATIONS



46" x 21" x 12"  
970 lbs. / unit  
1 unit / pallet



43" x 20" x 12"  
840 lbs. / unit  
1 unit / pallet

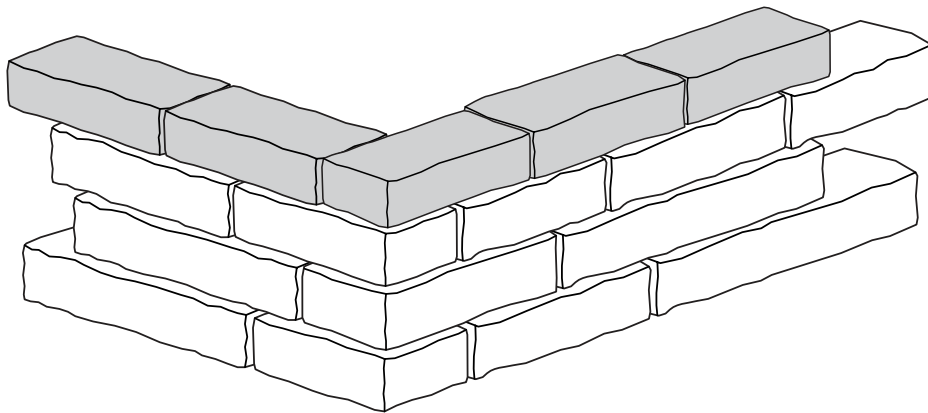


36" x 20" x 12"  
700 lbs. / unit  
1 unit / pallet



54" x 20" x 12"  
1,080 lbs. / unit  
1 unit / pallet

## LAYING PATTERNS



Note: The Grand Ledge Coping/Freestanding units have a natural stone finish on 5 sides and can be used for corners, top blocks, step returns, and freestanding walls.

## NOTES



WET-CAST  
WARRANTY



OUTDOOR  
LIVING



WALLS &  
COLUMNS

COLOR SWATCHES AVAILABLE AT [LAMPUS.COM](http://LAMPUS.COM) • ALL WEIGHTS ARE APPROXIMATE.

## APPLICATIONS