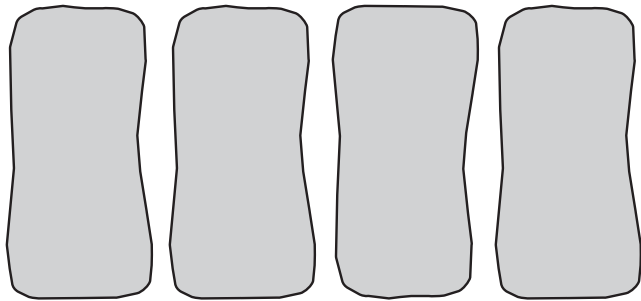
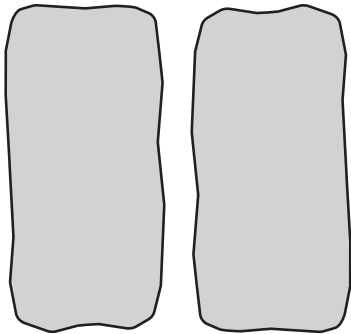


ROSETTA® OUTCROPPING CORNER

PALLET OVERVIEW



SPECIFICATIONS

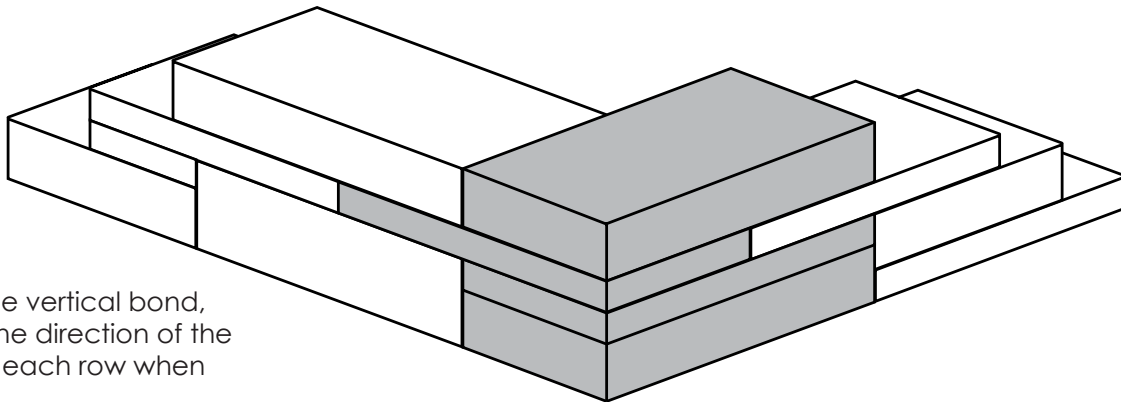


12" CORNER PALLET
48" x 30" x 12"
2 unit / pallet
2 layers / pallet
2,200 lbs. / pallet



6" CORNER PALLET
39" x 27" x 6"
4 unit / pallet
2 layers / pallet
2,200 lbs. / pallet

LAYING PATTERNS



To break the vertical bond, alternate the direction of the corners on each row when possible.

NOTES



WET-CAST
WARRANTY



DO NOT USE
DE-ICING AGENTS

CAP OPTIONS



IRREGULAR
STEPS

APPLICATIONS



WALLS &
COLUMNS

COLOR SWATCHES AVAILABLE AT LAMPUS.COM • ALL WEIGHTS ARE APPROXIMATE