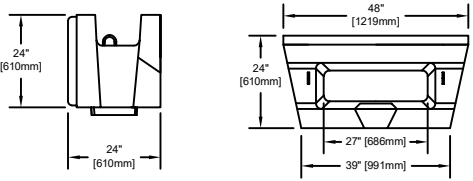
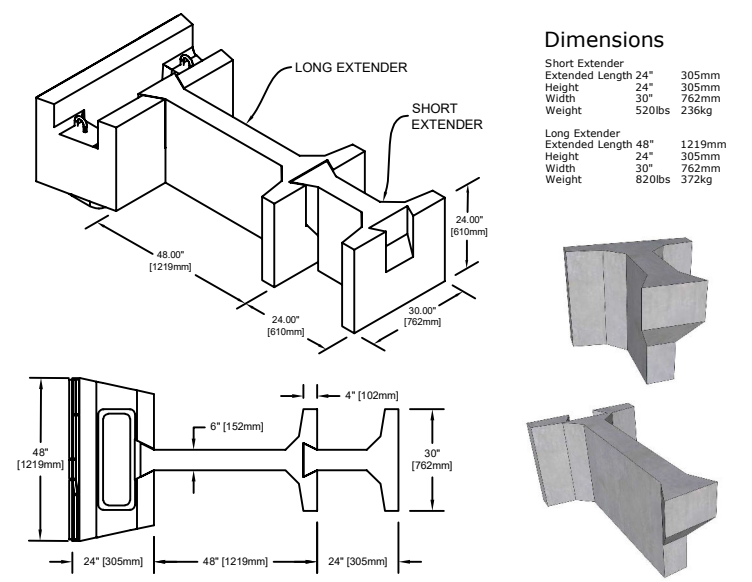


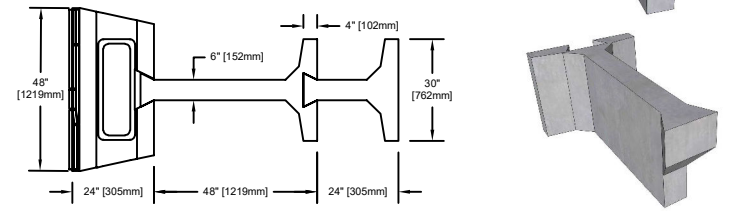
Dimensions
 Face Width 48" 1219mm
 Back Width 39" 991mm
 Depth 24" 610mm
 Height 24" 610mm
 Face Area 8 sq ft 0.74 sq m
 Weight 1345lbs 610kg
 Setback 4.5 / 2.4 / 0 deg



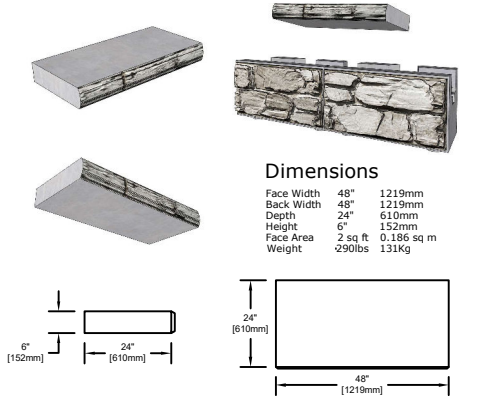
STANDARD UNIT



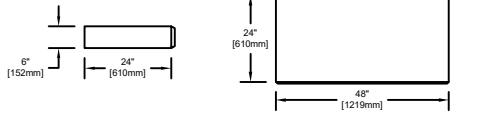
Dimensions
 Short Extender
 Extended Length 24" 305mm
 Height 24" 305mm
 Width 30" 762mm
 Weight 520lbs 236kg
 Long Extender
 Extended Length 48" 1219mm
 Height 24" 305mm
 Width 30" 762mm
 Weight 820lbs 372kg



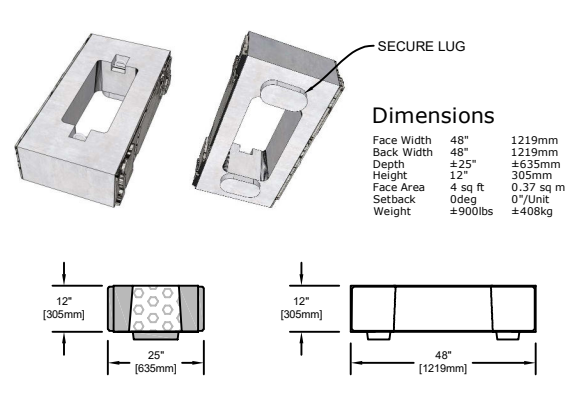
EXTENDER UNITS



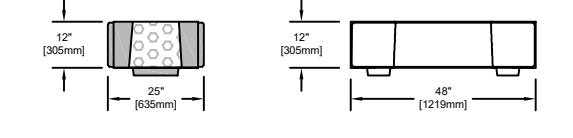
Dimensions
 Face Width 48" 1219mm
 Back Width 48" 1219mm
 Depth 24" 610mm
 Height 6" 152mm
 Face Area 2 sq ft 0.186 sq m
 Weight 290lbs 131kg



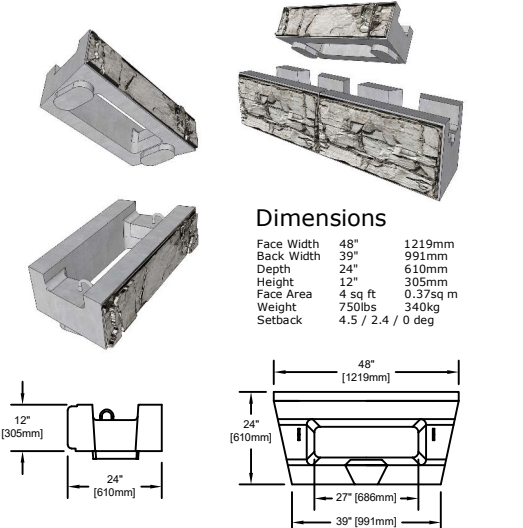
CAP UNIT



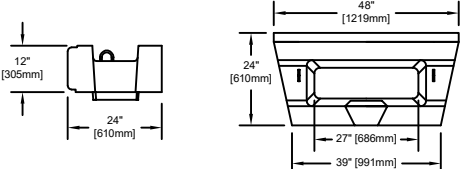
Dimensions
 Face Width 48" 1219mm
 Back Width 48" 1219mm
 Depth 12" 305mm
 Height 12" 305mm
 Face Area 4 sq ft 0.37 sq m
 Setback 0deg 0'0"Unit
 Weight ±900lbs ±408kg



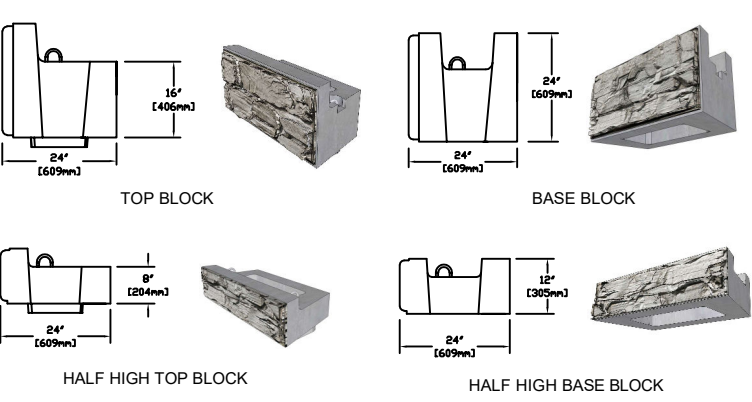
DOUBLE SIDED FREESTANDING UNIT



Dimensions
 Face Width 48" 1219mm
 Back Width 39" 991mm
 Depth 24" 610mm
 Height 12" 305mm
 Face Area 4 sq ft 0.37sq m
 Weight 750lbs 340kg
 Setback 4.5 / 2.4 / 0 deg

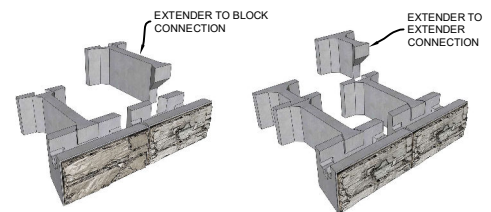


HALF HIGH UNIT

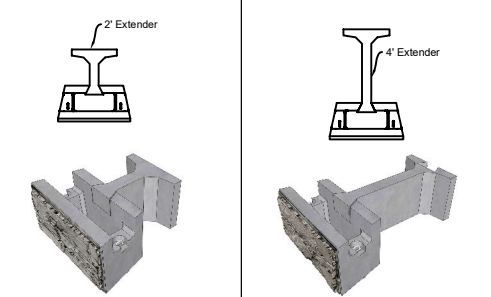


Dimensions
 TOP BLOCK
 Face Width 24" 609mm
 Height 16" 406mm
 Weight 160lbs 72kg
 BASE BLOCK
 Face Width 24" 609mm
 Height 24" 609mm
 Weight 160lbs 72kg
 HALF HIGH TOP BLOCK
 Face Width 24" 609mm
 Height 8" 204mm
 Weight 80lbs 36kg
 HALF HIGH BASE BLOCK
 Face Width 24" 609mm
 Height 12" 305mm
 Weight 120lbs 54kg

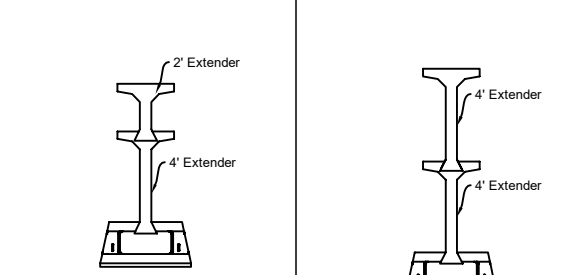
TOP BLOCKS AND BASE BLOCKS



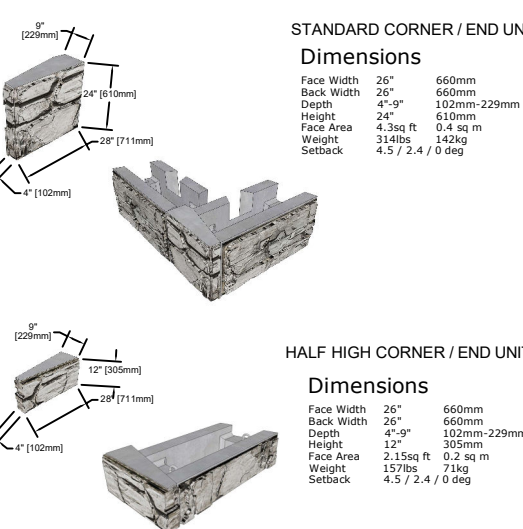
EXTENDER INSTALLATION



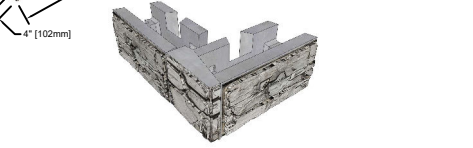
48" (1219MM) 72" (1829MM)



96" (2438MM) 120" (3048MM)

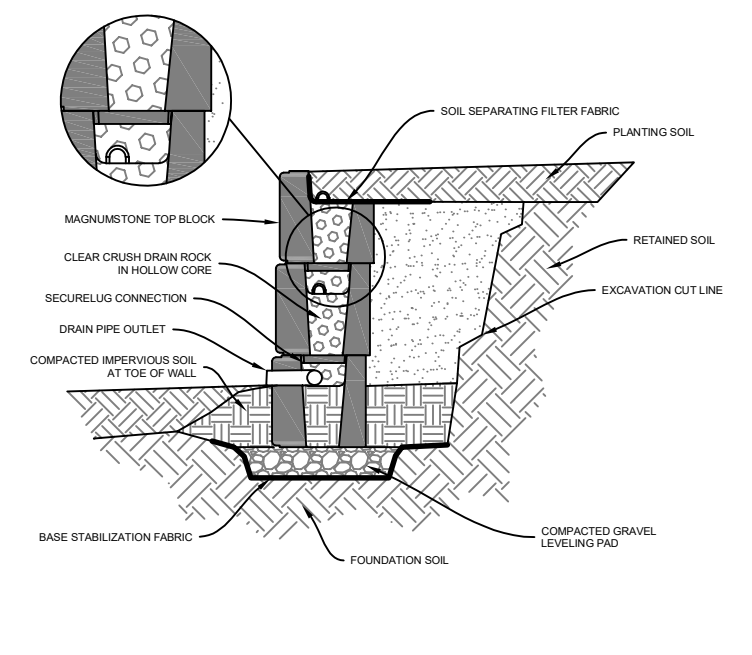


STANDARD CORNER / END UNIT
Dimensions
 Face Width 26" 660mm
 Back Width 26" 660mm
 Depth 4"-9" 102mm-229mm
 Height 24" 610mm
 Face Area 4.3sq ft 0.4 sq m
 Weight 314lbs 142kg
 Setback 4.5 / 2.4 / 0 deg

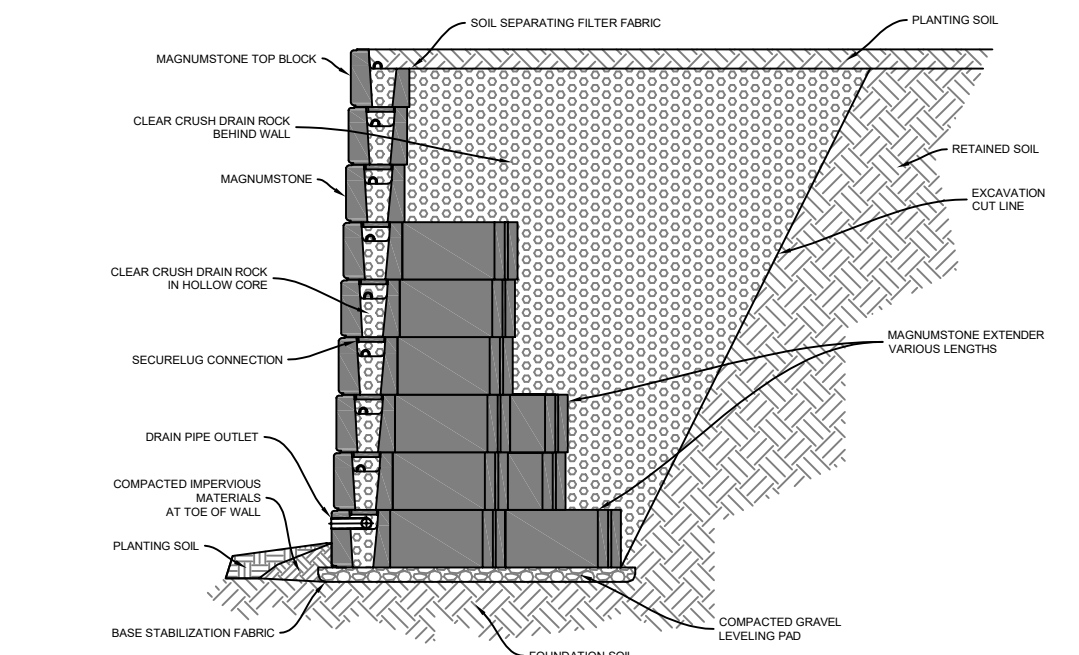


CORNER/END UNIT

HALF HIGH CORNER / END UNIT
Dimensions
 Face Width 26" 660mm
 Back Width 26" 660mm
 Depth 4"-9" 102mm-229mm
 Height 12" 305mm
 Face Area 2.15sq ft 0.2 sq m
 Weight 157lbs 71kg
 Setback 4.5 / 2.4 / 0 deg



GRAVITY WALL



GRAVITY WALL WITH EXTENDERS

General Notes

No.	Revision/Issue	Date

No.	Revision/Issue	Date



Project Name and Address

Project	Sheet
Date	
Scale	

FNAME

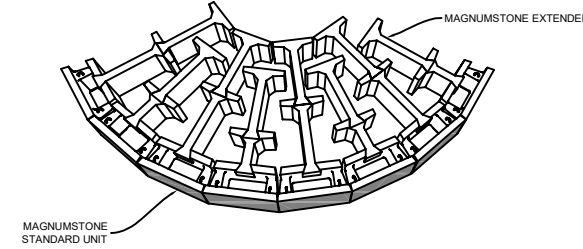
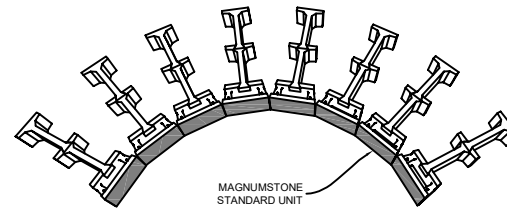
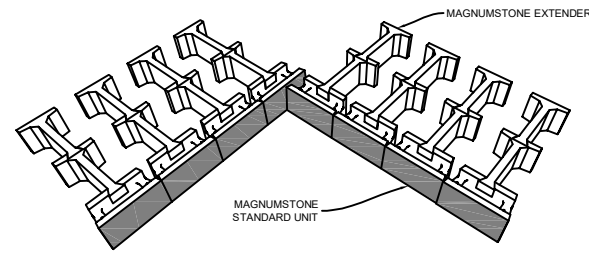
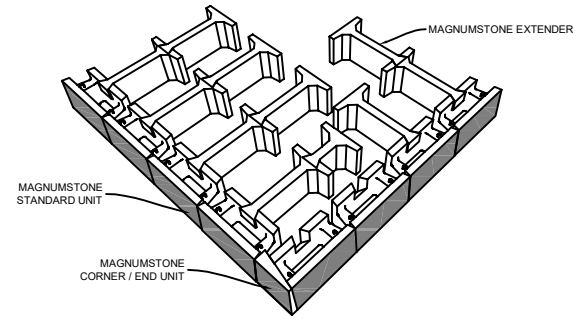
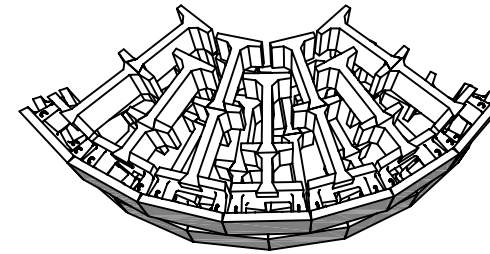
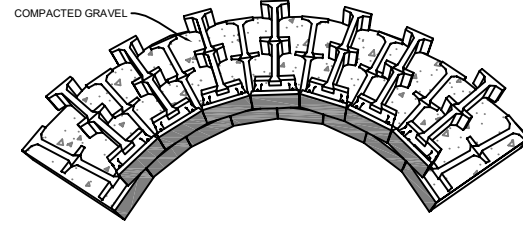
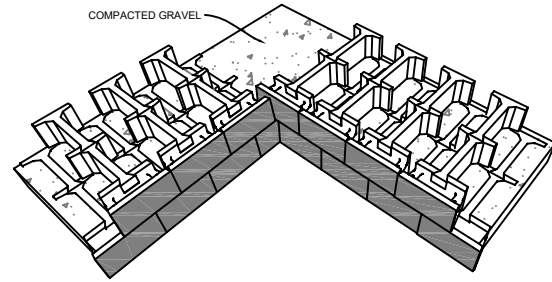
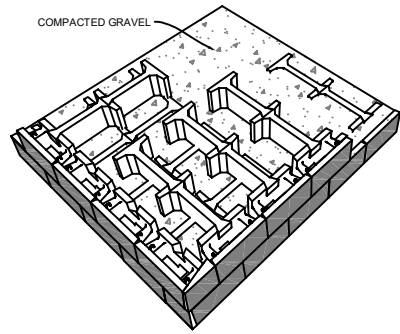
REVDATE

USER

FNAME

REVDATE

USER

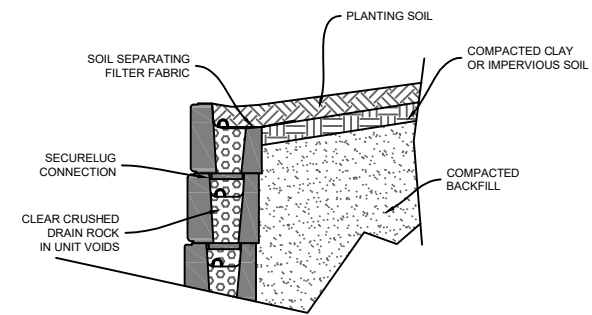
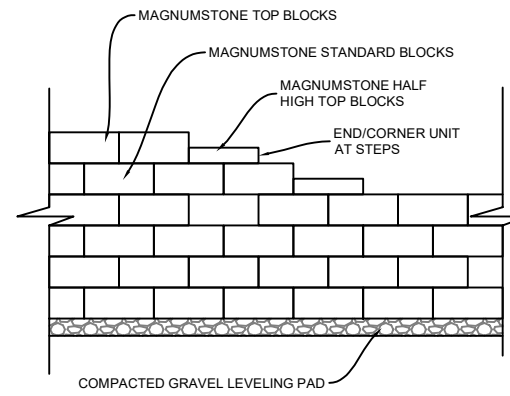
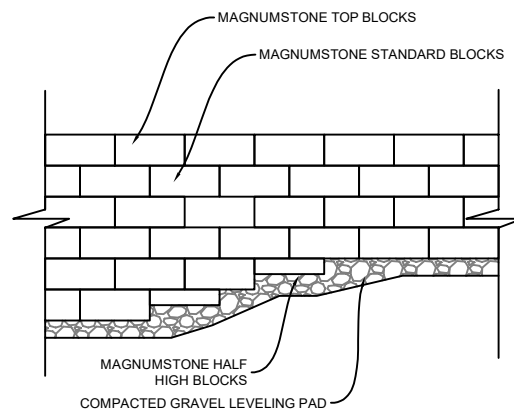
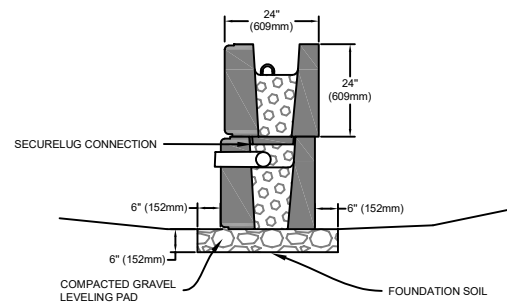


OUTSIDE CORNER

INSIDE CORNER

INSIDE CURVE

OUTSIDE CURVE

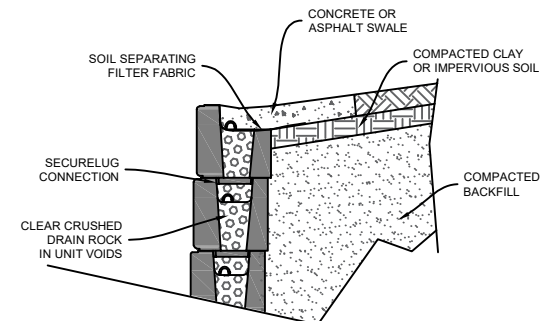
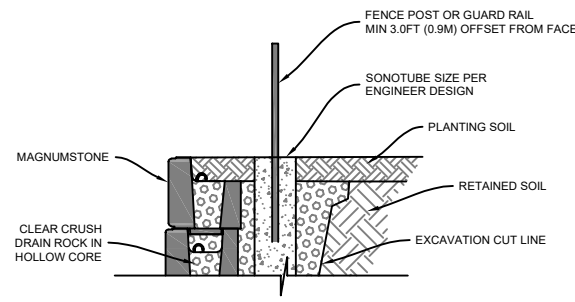
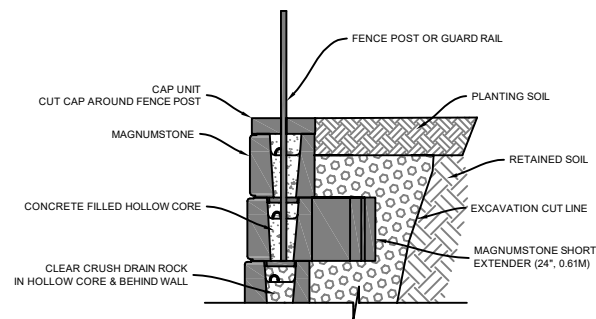
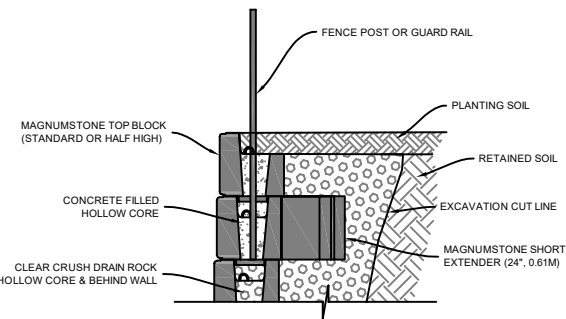


LEVELING PAD

BASE STEP UP

TOP OF WALL STEP UP

CLAY / IMPERVIOUS SWALE



RAILING THROUGH HOLLOW CORE

RAILING THROUGH HOLLOW CORE W /CAP

RAILING BEHIND WALL

CONCRETE / ASPHALT SWALE

General Notes

No.	Revision/Issue	Date

MagnumStone™
by CORNERSTONE®

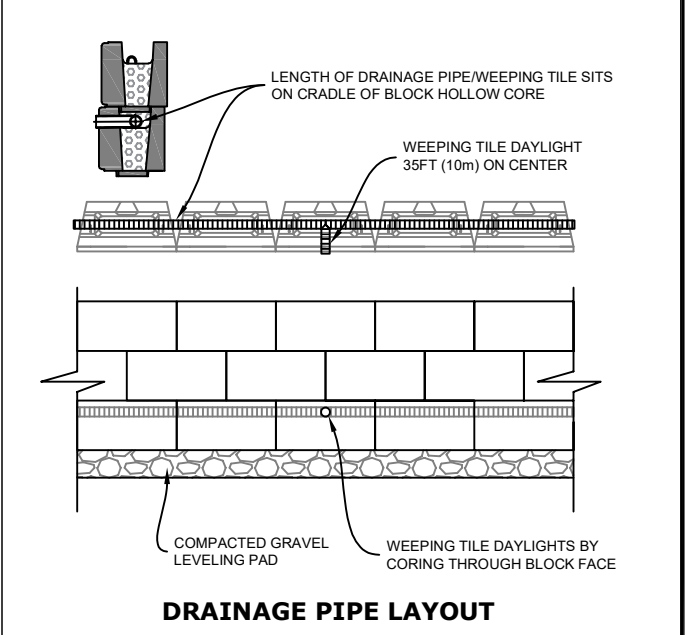
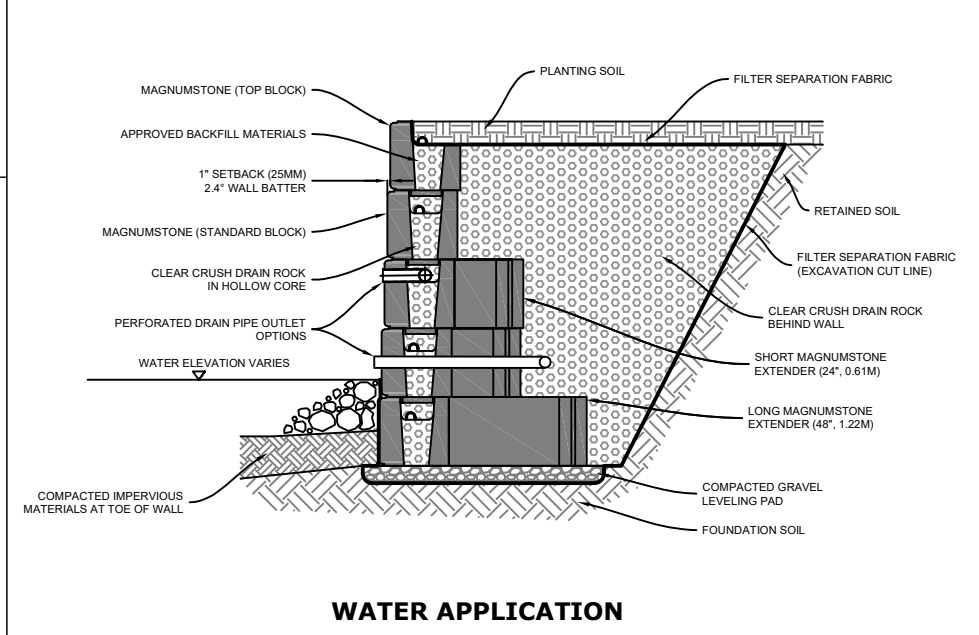
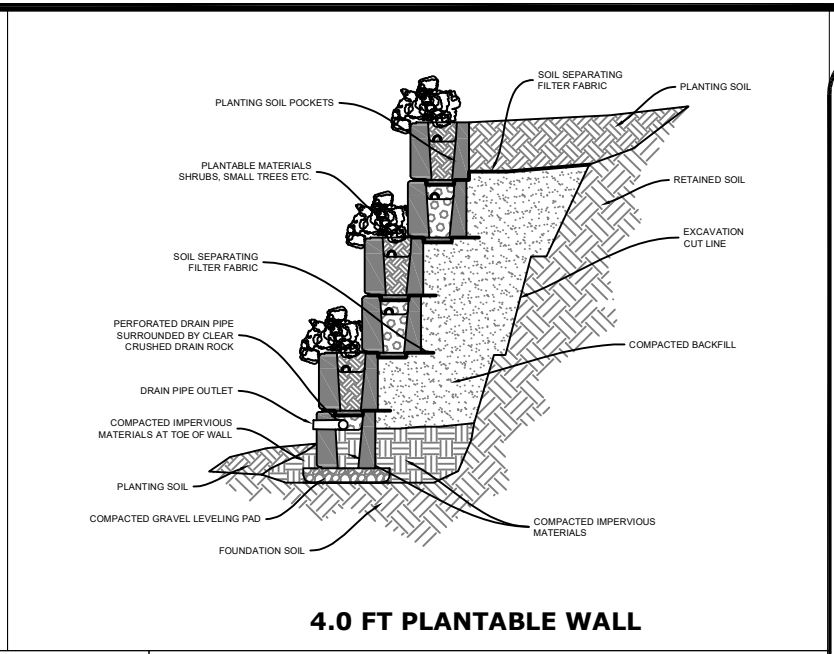
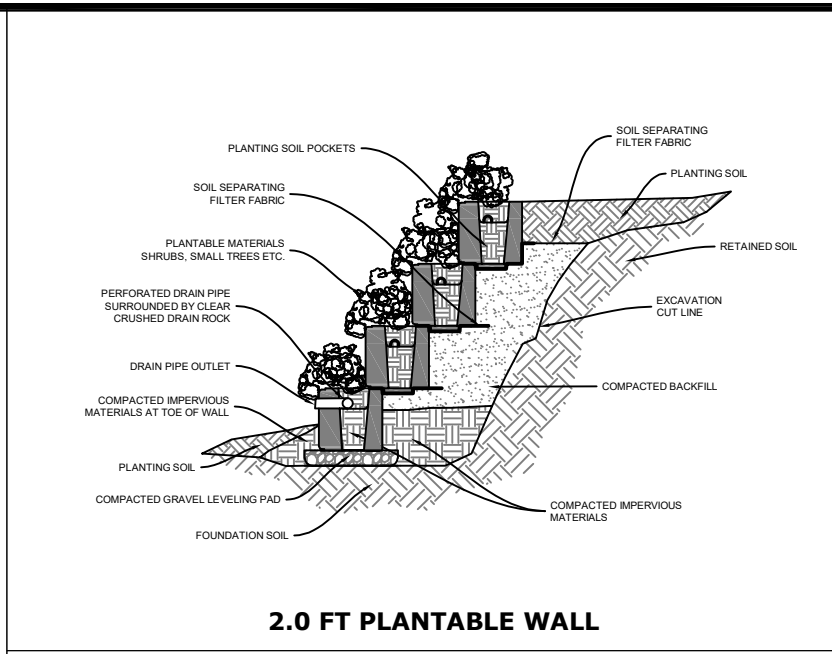
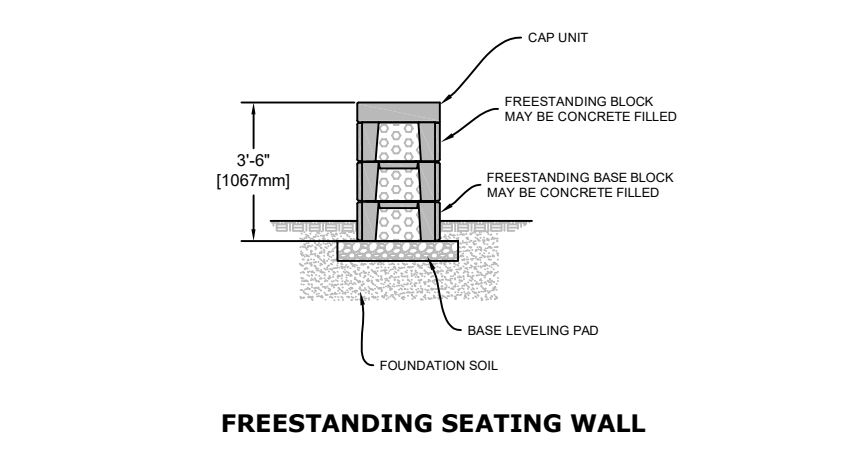
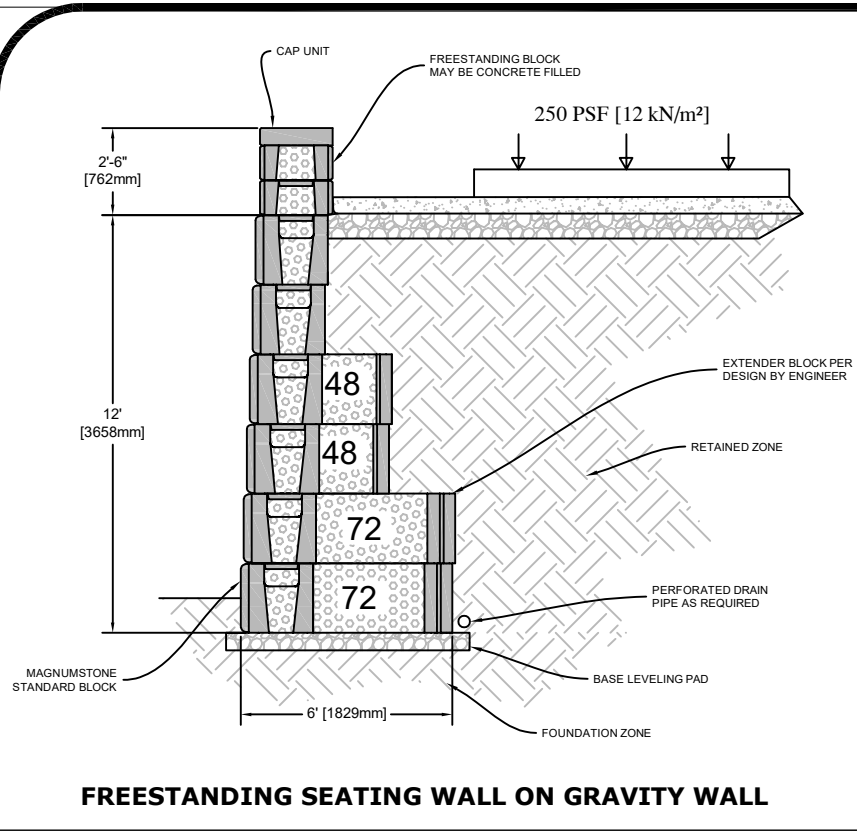
Project Name and Address

Project

Date

Scale

Sheet



General Notes

No.	Revision/Issue	Date

MagnumStone™
by CORNERSTONE®

Project Name and Address

Project _____ Sheet _____

Date _____

Scale _____

FNAME
REVDATE
USER