

Premier Ultra Burnished

MASONRY UNITS



COUNTY MATERIALS CORPORATION

Premier Ultra Burnished

MASONRY UNITS

Premier Ultra® Burnished Masonry Units are the optimal solution for concrete masonry construction. Their ground surface reveals a mix of natural aggregates that offers exceptional durability and refined beauty.

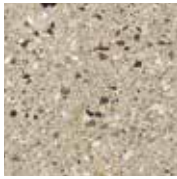
Manufactured to have high fire resistance ratings and to withstand abuse – Premier Ultra® Burnished Masonry Units are specified for a multitude of exterior and interior applications. Adding to their design versatility, units are manufactured in structural load-bearing, full and thin veneer units.

Premier Ultra® Burnished Masonry Units were designed with project versatility and boldness in mind. Burnished units are integrally colored and their surface is ground smooth to reveal natural aggregates for a result that replicates the look of hand cut stone or granite for a fraction of the cost. Additionally, our polishing capabilities further accentuate the timeless beauty of natural aggregates and elevate a project with sophisticated character.



CUSTOM COLOR

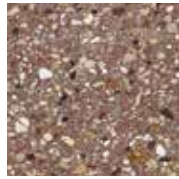
Burnished Colors



Dawn (63-240A)



Dusk (63-243A)



Firebrush (63-215B)



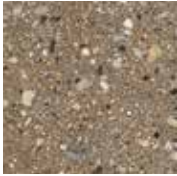
Sunrise (63-242A)



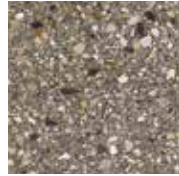
Quiet Beach
(63-241A)



Black Granite
(63-290C)



Burnt Ember
(63-250A)



Deep Earth (63-252A)



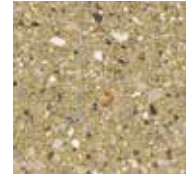
Echo (63-251B)



Galaxy (63-239C)



Sea Salt (63-218C)



Honeycomb
(63-216B)



Moonbeam (63-214A)



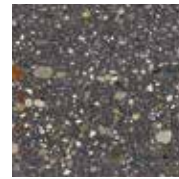
North Star (63-222B)



Solstice (63-219C)



Speckled Frost
(63-297C)



Twilight (63-210B)



Graystone (63-291C)



Manawa (63-292C)



Milky Way (63-293C)

**Letter following color names denote pricing levels.
"A" indicates lowest price level; "C" is highest price level.**

Colors, product data, and availability are subject to change without notice. Please confirm all details with a County Materials representative for availability in your area. Colors shown may vary from actual hues and should only be used as a guide. Refer to actual product samples for final color selection.

Note: Premier Ultra Burnished Units are manufactured with a specialized polishing process so factory sealing is not applied. Instead, a field coat sealer is recommended for Premier Ultra projects, offering a uniform seal across the block and mortar.

Post-Installation Sealing Advantages

- Achieves consistent sealer coverage, unlike factory-sealed units that scuff during installation leaving scratches and blotches.
- Penetrates masonry to protect the walls.
- Better adhesion.
- Achieves a consistent, homogeneous finished wall surface.
- Provides a uniform, moisture-resisting seal.
- Provides a consistent seal over the mortar joints.
- Allows for more thorough cleaning methods.
- Provides more sealer options to achieve desired aesthetics.



Without Sealer



With Sealer

Premier Ultra® Burnished Masonry Units

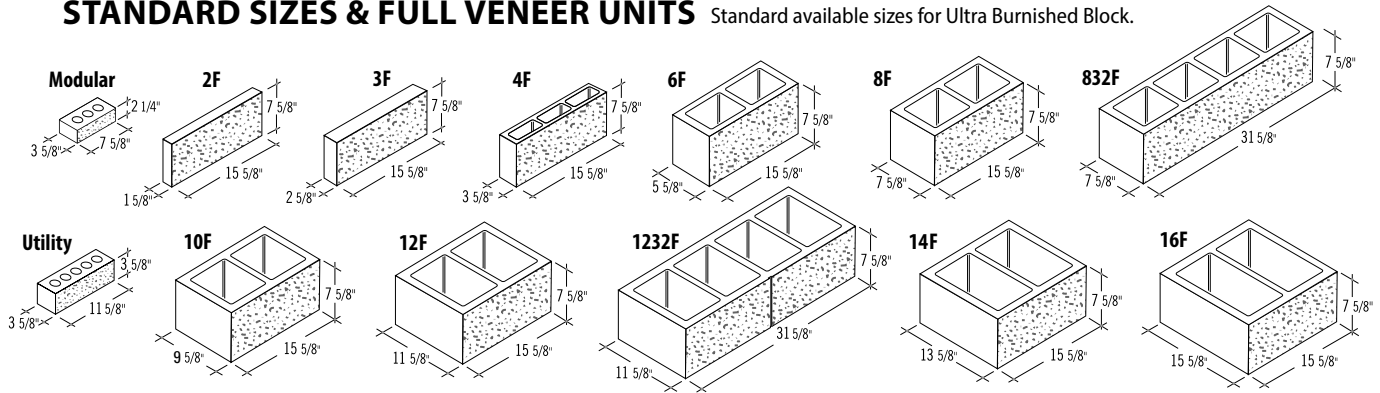
SHAPES AND SIZES



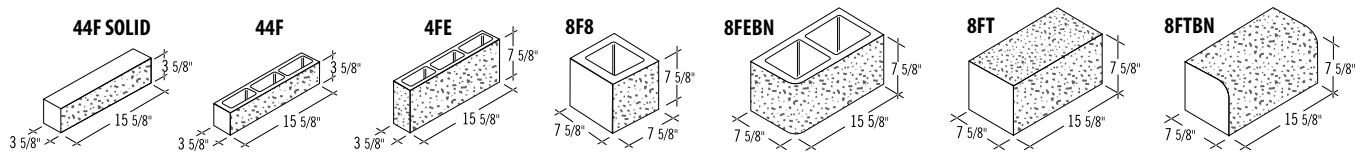
PREMIER ULTRA® BURNISHED MASONRY UNITS

Premier Ultra Burnished Masonry Units provide design flexibility, superior performance, durability, and cost and time savings that replicate the appearance of polished stone or granite at a fraction of the cost.

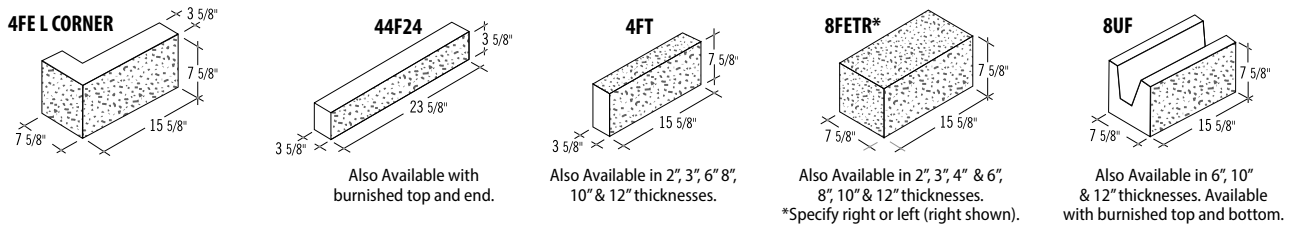
STANDARD SIZES & FULL VENEER UNITS Standard available sizes for Ultra Burnished Block.



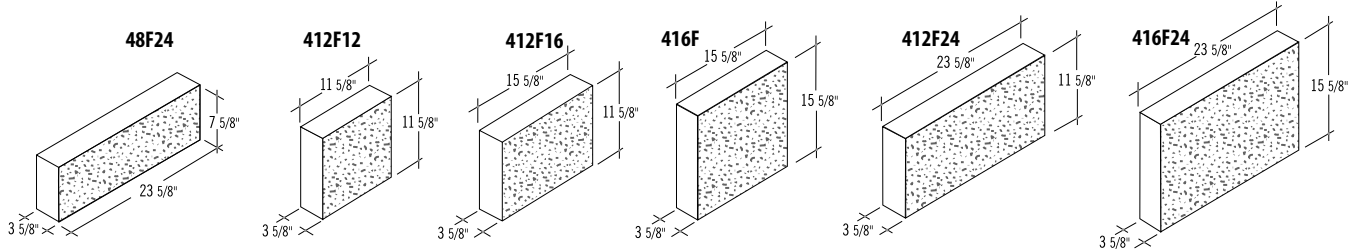
The following shapes, finishes, corner arrangements, etc. are available for the standard sizes (2", 3", 4", 6", 8", 10", 12", 14" and 16") for the Ultra Burnished Block shown above.



The following shapes and finishes are available only for the sizes indicated, or as noted below the block.



The following shapes are available with burnished tops and ends. A bullnose can be added (at top or end).



- NOTES:** 1) * For these units, designate left (L) or right (R).
 2) Show faces to be burnished as face (F), end (E), top (T) and bottom (B).
 3) Corner units available for 4" units larger than the 8" x 16" faced units.

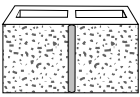
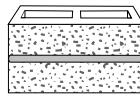
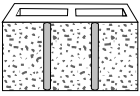
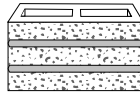
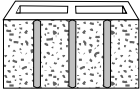
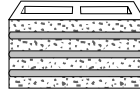
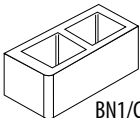
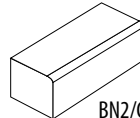
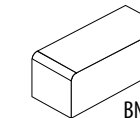
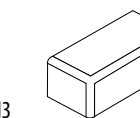
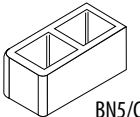
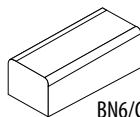
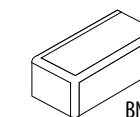
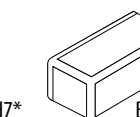
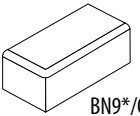
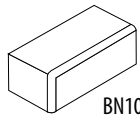
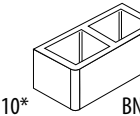
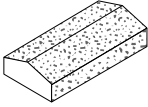
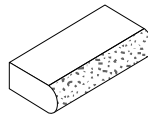
- 4) For running-bond patterns, corner lengths are 1/2 the field unit length + 4"; finished face and end.
 5) For stack-bond patterns, mitered corners are available.
 6) Mitered corners are not available in units larger than 16" long.

All dimensions nominal.

Premier Ultra® Burnished Masonry Units

SHAPES AND SIZES

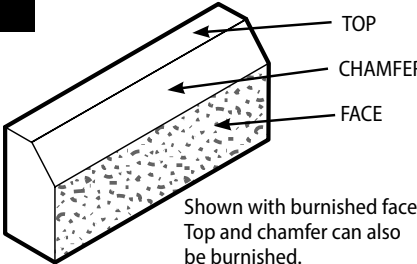


Scoring	Bullnose & Chamfer Units	Caps & Banding
<p>Premier Block's Scoring Designations</p>  8"x 8" Score-V1  8"x 8" Score-H1  5"x 8" Score-V2  5"x 8" Score-H2  4"x 8" Score-V3  4"x 8" Score-H3	<p>Bullnose (BN) & Chamfer (CH) Units</p>  BN1/CH1  BN2/CH2  BN3/CH3  BN4*/CH4*  BN5/CH5  BN6/CH6  BN7/CH7*  BN8/CH8  BN9*/CH9*  BN10*/CH10*  BN11/CH11	<p>Caps</p>  <p>Banding Elements</p> 

Horizon™ Burnished

4" to 2" size is shown.
 Also available in:
 • 6" to 4"
 • 8" to 6"
 • 10" to 12"
 • 12" to 10"

All sizes solid (no cores).
 Maximum length is 16".



Shown with burnished face.
 Top and chamfer can also be burnished.

- NOTES:**
- 1) * For these units, designate left (L) or right (R).
 - 2) Show faces to be burnished as face (F), end (E), top (T) and bottom (B).
 - 3) Corner units available for 4" units larger than the 8" x 16" faced units.
 - 4) For running-bond patterns, corner lengths are 1/2 the field unit length +4"; finished face and end.
 - 5) For stack-bond patterns, mitered corners are available.
 - 6) Mitered corners are not available in units larger than 16" long.

Ultra^{PREMIER}
 BURNISHED MASONRY UNITS



All dimensions nominal.

Premier Ultra® Burnished Masonry Units

SHAPES AND SIZES

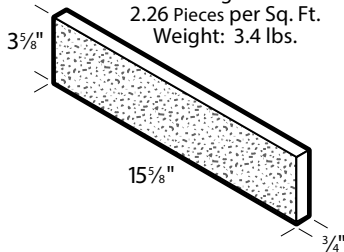


PREMIER ULTRA® THIN VENEERS – FIELD APPLIED

Half High

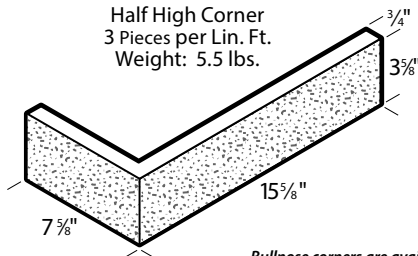
$\frac{3}{4}'' \times 3\frac{5}{8}'' \times 15\frac{5}{8}''$

Half High Face
2.26 Pieces per Sq. Ft.
Weight: 3.4 lbs.



$\frac{3}{4}'' \times 3\frac{5}{8}'' \times 15\frac{5}{8}''$

Half High Corner
3 Pieces per Lin. Ft.
Weight: 5.5 lbs.



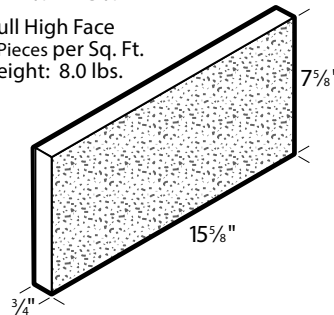
*Bullnose corners are available
in Burnished texture*

Full High

*Bullnose corners are available
in Burnished texture*

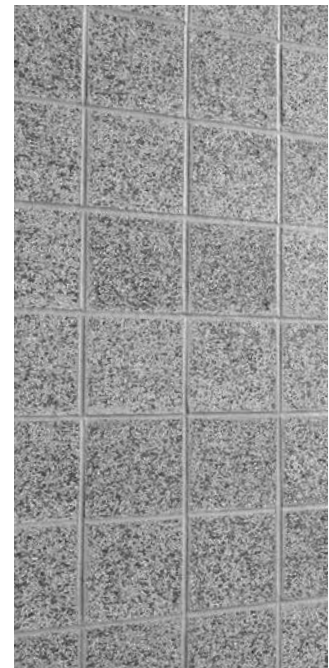
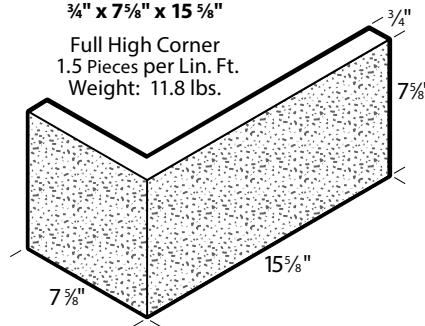
$\frac{3}{4}'' \times 7\frac{5}{8}'' \times 15\frac{5}{8}''$

Full High Face
1.13 Pieces per Sq. Ft.
Weight: 8.0 lbs.



$\frac{3}{4}'' \times 7\frac{5}{8}'' \times 15\frac{5}{8}''$

Full High Corner
1.5 Pieces per Lin. Ft.
Weight: 11.8 lbs.



All dimensions nominal.

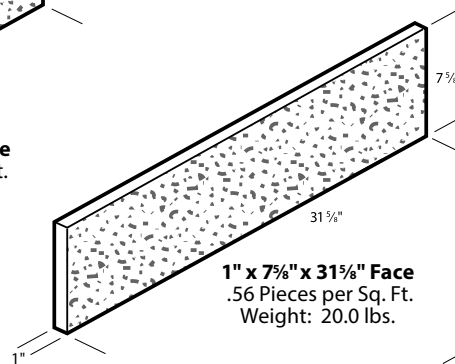
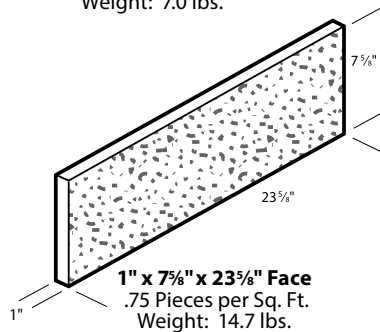
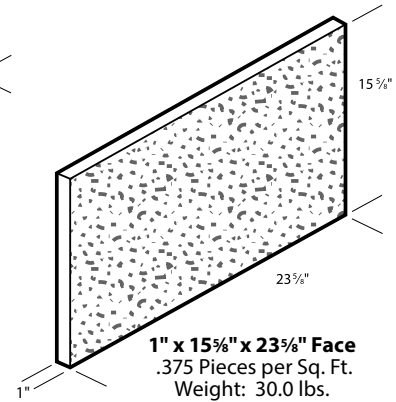
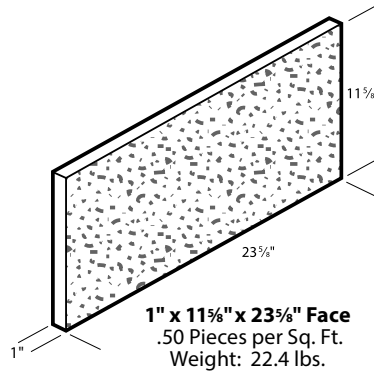
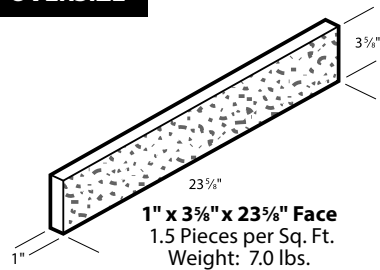
Premier Ultra® Burnished Masonry Units

SHAPES AND SIZES

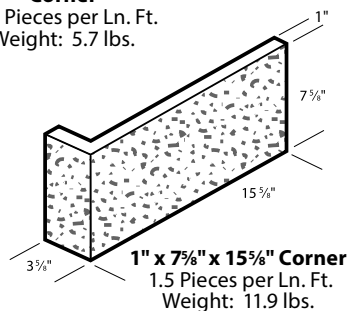
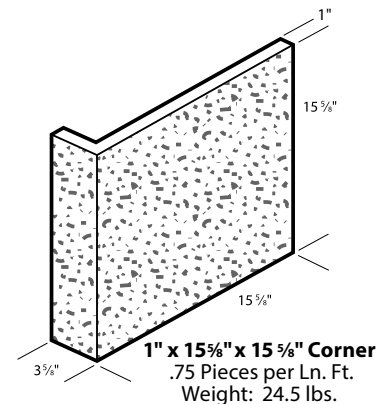
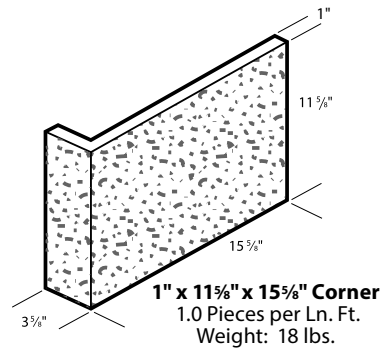
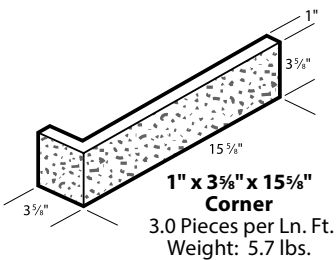


THIN VENEERS – FIELD APPLIED – OVERSIZE

OVERSIZE



All oversized pieces are custom ordered.



All dimensions nominal.

Premier Ultra Burnished

MASONRY UNITS

Advantages of Burnished Masonry

- High durability
- Fire protection
- Low maintenance
- Graffiti resistant
- Competitive pricing
- Cost-effective one-step installation
- Resistant to mold, weather and fire
- Variety of sizes and shapes, including oversize, and full and thin veneers
- Color and surface grinding consistency
- Incredible structural strength



SUNRISE



(800) 242-7733
countymaterials.com
info@countymaterials.com

©2021 County Materials Corporation • 0121

